

Method Z010F / Z010M – Alkalinity KH

Specification

Description:	Test for determining the carbonate hardness in fresh and marine water
Range:	0,5 - 30 °d – fresh water 0,5 - 20 °d – marine water
Resolution:	0,5 °d
Wavelength:	610 nm

Reagent set

Product Code	Description	List of components
8010	Set of reagents for method Z010F / Z010M, Alkalinity KH (reagents for approx. 40 tests)	<ul style="list-style-type: none"> ✓ Reagent KH ✓ syringe 1 ml

Performing the measurement

- To measure carbonate hardness in fresh water select the **Z010F Alkalinity KH Fresh** method, in marine water the **Z010M Alkalinity KH Marine** method (**Methods** → **Select method** → Z010F or Z010M Alkalinity KH). How to select the method, see [8.1 Choosing method](#).

NOTE:

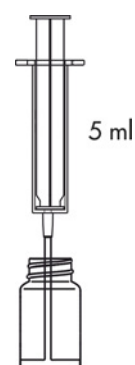
*It is recommended to use the GUIDE system. It will provide you with step-by step basic instruction how to perform measurement. To enable this function press the button **GUIDE**.*

- Rinse the vial and the syringe three times with the tested water.

Take exactly 5 ml of the tested water with the syringe and pour into the vial.

NOTE:

Make sure no air bubbles are present in the syringe. Trapped air bubbles can affect accuracy of the measurement.

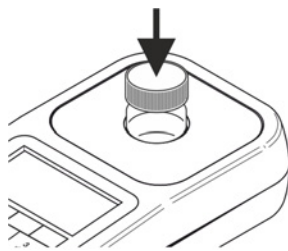


- Insert the vial into the round vial holder and press the **ZERO** key.

NOTE:

Before starting the measurement, it is highly recommended to make sure the test vial is clean and dry. Liquid residues remaining on the vial walls may adversely affect reliability of results.

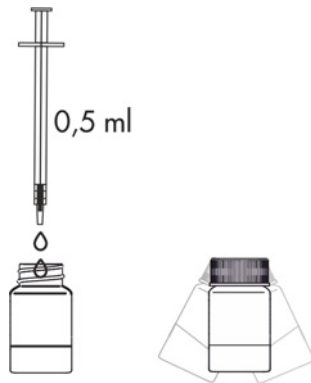
The display will show "-0.0-", which means the device is ready for measurement.



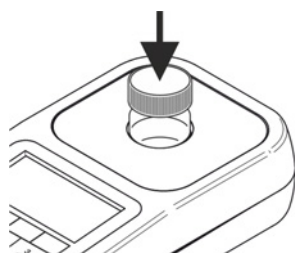
26 08 20		[Battery Icon] 12:35	
KH	Z010F	Alkalinity KH	
		tag 1	
Measuring ...			
ZERO		GUIDE	

26 08 20		[Battery Icon] 12:35	
KH	Z010F	Alkalinity KH	
		tag 1	
-0.0- dH			
ZERO	MEAS	GUIDE	

4. Add 0,5 ml of **Reagent KH**, and shake gently to mix.



5. Insert the vial into the round vial holder and press the **MEAS** key to take a measurement. The result – **carbonate hardness** - is displayed in **German degrees (°d)**.



26 08 20		[Battery Icon] 12:36	
KH	Z010F	Alkalinity KH	
		tag 1	
Measuring ...			
ZERO	MEAS	GUIDE	

26 08 20		[Battery Icon] 12:36	
KH	Z010F	Alkalinity KH	
		tag 1	
8.5 dH			
ZERO	MEAS	GUIDE	REC

There are also available alternative units to display: CaCO₃ mg/l, mmol/l and mval/l. They can be accessed by pressing the **left / right** cursors on the keyboard.