

Method Z040 – pH 6.0-8.5

Specification

Description:	Test for determining the pH-value in fresh water
Range:	6.0 – 8,5 pH
Resolution:	0,05 pH
Wavelength:	520 nm

Reagent set

Product Code	Description	List of components
8040	Set of reagents for method Z040, pH 6.0-8.5 (reagents for approx. 40 tests)	<ul style="list-style-type: none"> ✓ Reagent pH 6.0-8.5 ✓ syringe 1 ml

Performing the measurement

- Select the **Z040 pH 6-8.5** method (**Methods** → **Select method** → **Z040 pH 6.0-8.5**).
How to select the method, see [8.1 Choosing method](#).

NOTE:

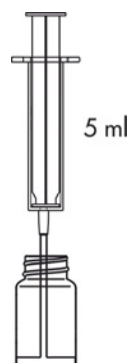
It is recommended to use the **GUIDE** system. It will provide you with step-by step basic instruction how to perform measurement. To enable this function press the button **GUIDE**.

- Rinse the vial and the syringe three times with the tested water.

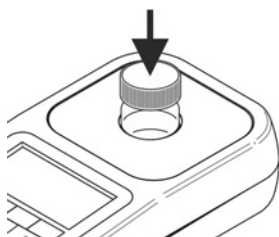
Take exactly 5 ml of the tested water with the syringe and pour into the vial.

NOTE:

Make sure no air bubbles are present in the syringe. Trapped air bubbles can affect accuracy of the measurement.



- Insert the vial into the round vial holder and press the **ZERO** key. The display will show **"-0.0-"**, which means the device is ready for measurement.



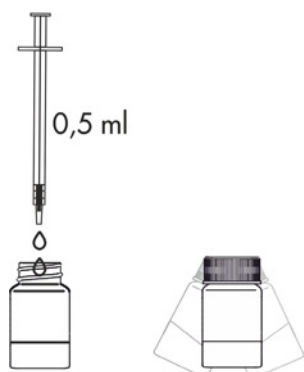
26 08 20		12:45	
pH	Z040 pH 6.0-8.5	tag 1	
Measuring ...			
ZERO	MEAS	GUIDE	

26 08 20		12:45	
pH	Z040 pH 6.0-8.5	tag 1	
-0.0- pH			
ZERO	MEAS	GUIDE	

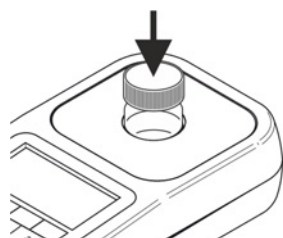
NOTE:

Before starting the measurement, it is highly recommended to make sure the test vial is clean and dry. Liquid residues remaining on the vial walls may adversely affect reliability of results.

4. Add 0.5 ml of **Reagent pH 6.0-8.5** and shake well to obtain uniform colour.



5. Insert the vial into round vial holder and press the **MEAS** key to take a measurement, the result is displayed in pH.



26 08 20		12:45	
pH	Z040 pH 6.0-8.5		
	tag 1		
Measuring ...			
ZERO	MEAS	GUIDE	

26 08 20		12:45	
pH	Z040 pH 6.0-8.5		
	tag 1		
6.60 pH			
ZERO	MEAS	GUIDE	REC